

How it works

Fuel Saver

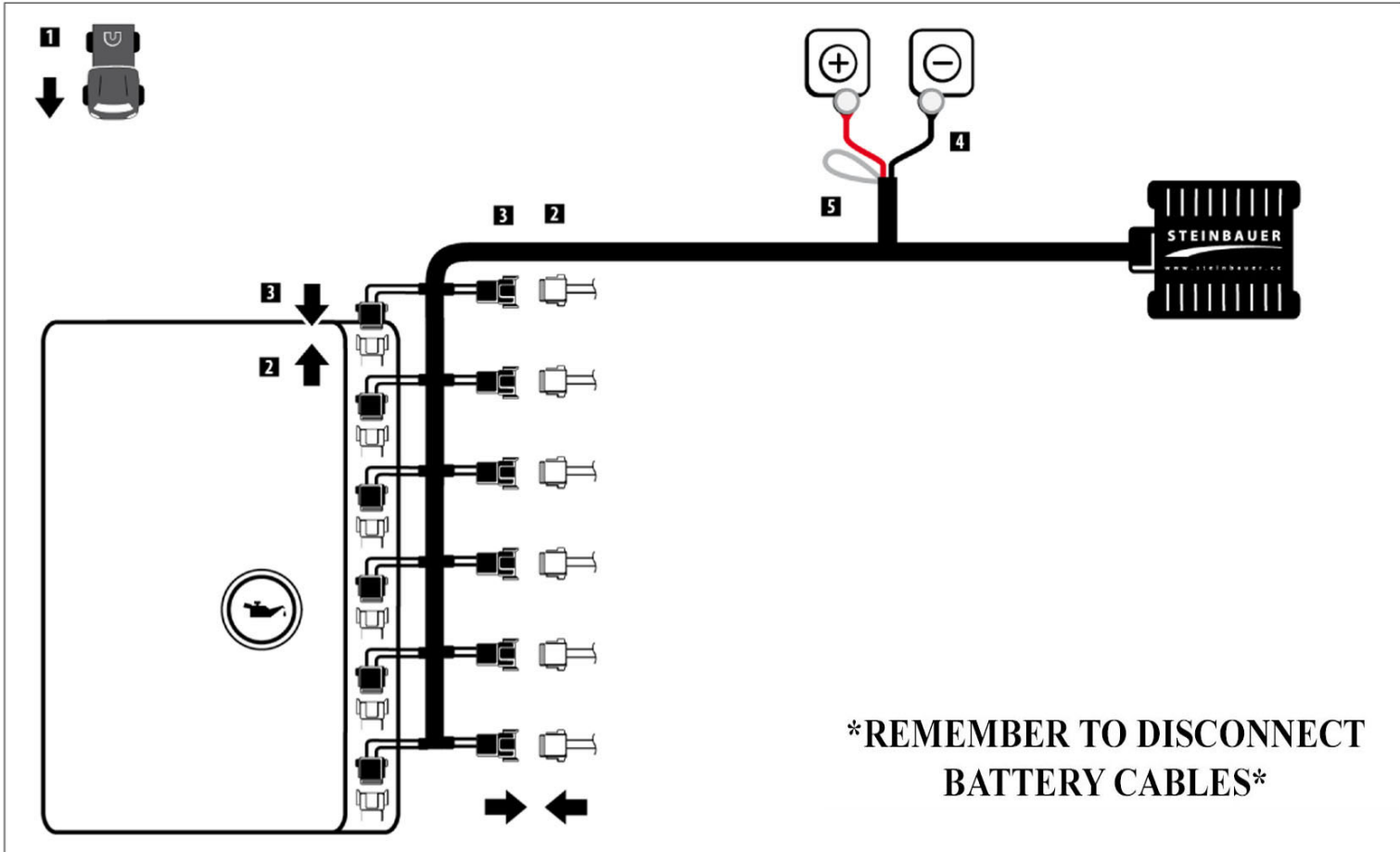
The STEINBAUER Power enhancement modifies the injection system by fine tuning the duration of the injectors. This is achieved by blue printing the original characteristics and intercepting the electronic signals from the ECU to the injection system. The fuel injection and engine speed are recorded and recalculated to optimize performance.

Installation

N14 CUMMINS

220253

- 1** View. Direction of motion.
- 2** Disconnect the 6 plug-in connections with 2 pins, which are situated along the engine block at the driver's side.
- 3** Plug in the connectors of the STEINBAUER wiring loom.
NOTE! Direction of wiring loom has to be like shown in the figure
- 4** Connect red wire to +12V and black wire on chassis
- 5** Switch wire (see "Accessories")





Fuel Saver

Important information

To be able to take the benefits of all technical advantages of your newly purchased STEINBAUER Additional electronic, please consider the following advices.

Do not use the STEINBAUER Additional electronic before you have read and understood the "Important information".

The installation confirms that the buyer has read, understood and accepted the "Important information".

- Do not install the STEINBAUER Additional electronic on running ignition. Wait after stopping the ignition, because the ECU needs a few minutes to stop completely. For some vehicles you have to pull out the ignition key and close the driver's door.
- To avoid any damages and therefore caused malfunctions, fix the STEINBAUER wiring loom with cable fasteners.
Take care that the STEINBAUER wiring loom does not touch or rub on metal parts.
In case of malfunctions caused by not fixed cables or by inappropriate installation the STEINBAUER manufacturer's guarantee and liability for consequential damage of STEINBAUER Tuning Technologies Austria GmbH expires.
We grant a three years' guarantee starting at dispatch, but only in case of appropriate installation and usage.
- If you have any questions when installing, please do not hesitate to contact STEINBAUER Tuning Technologies Austria or your nearest sales partner.
- As manufacturer of the STEINBAUER Additional electronic we are obliged to inform you, that any changes made to a vehicle licensed for public transport, must be notified to the appropriate inspection authority and inserted to the car documents.
The legal restrictions are different in each country, therefore please check with appropriate authority.
- Please read our general terms.