

How it works

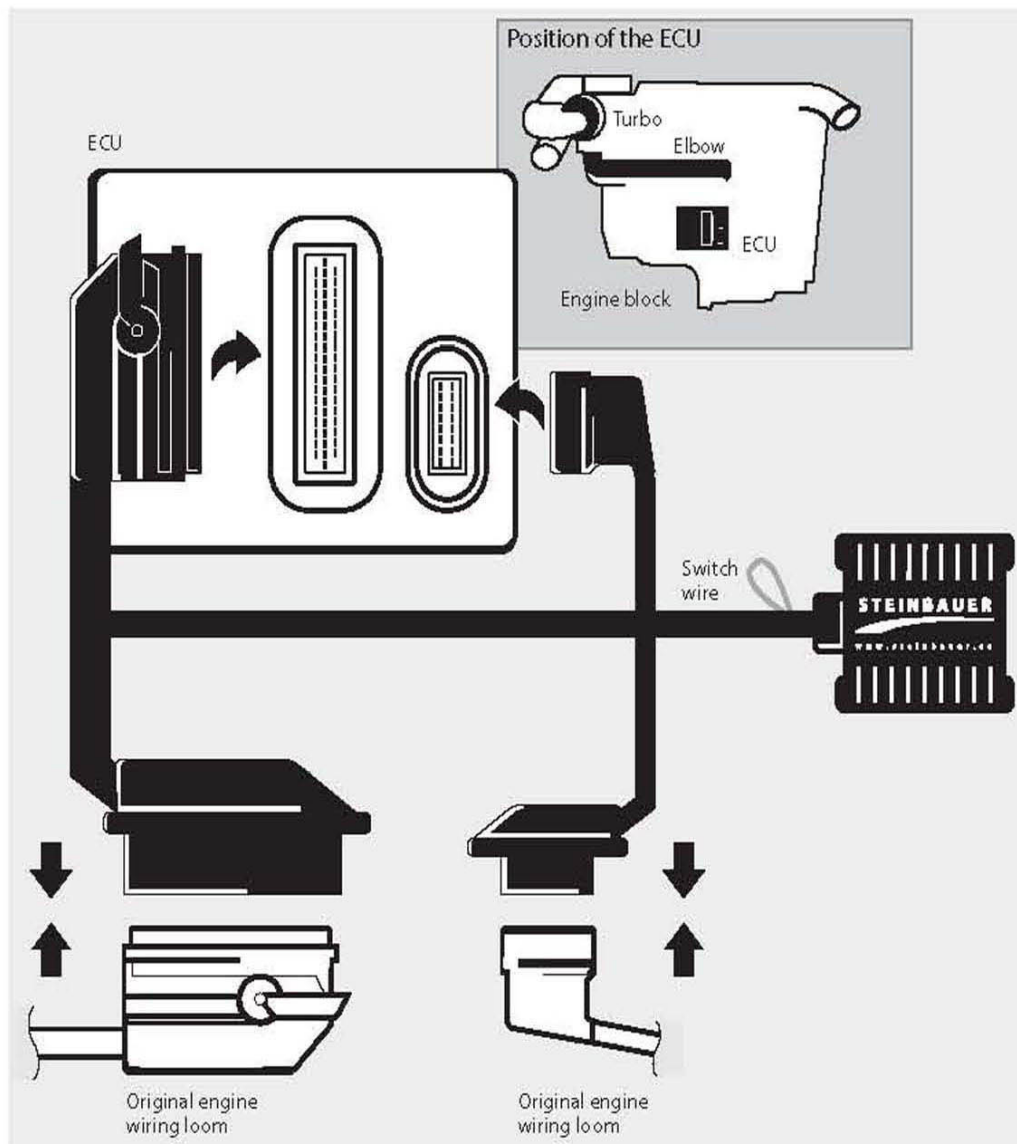
Fuel Saver

The STEINBAUER Power enhancement modifies the injection system by fine tuning the duration of the injectors. This is achieved by blue printing the original characteristics and intercepting the electronic signals from the ECU to the injection system. The fuel injection and engine speed are recorded and recalculated to optimize performance.

Installation Detroit-MBE 220128 (Detroit-MBE 6.4L, 7.2L, 12.8L)

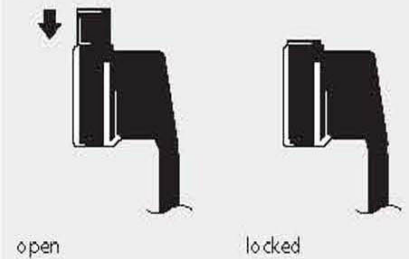
- 1 Turn the steering wheel to the right.
- 2 Tilt the drivers cab forward.
- 3 Disconnect both plug-in connections at the ECU, which is at the right front wheel, behind the damper.
- 4 Plug in the the connectors of the STEINBAUER wiring loom and lock them.
- 5 Reposition the cable of the STEINBAUER wiring loom towards gearbox, inside the vehicle framework. Fix it at the chassis number.

REMEMBER TO DISCONNECT BATTERY CABLES

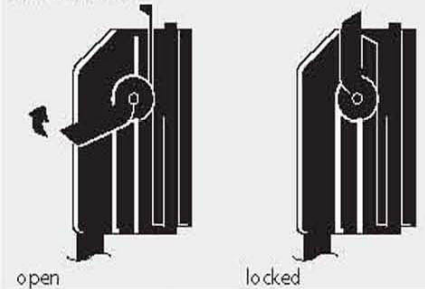


ATTENTION WITH INSTALLING

Small connector



Big connector



Make sure, that the connectors are locked after connection.



Important information

To be able to take the benefits of all technical advantages of your newly purchased STEINBAUER Additional electronic, please consider the following advices.

Do not use the STEINBAUER Additional electronic before you have read and understood the "Important information".

The installation confirms that the buyer has read, understood and accepted the "Important information".

■ Do not install the STEINBAUER Additional electronic on running ignition. Wait after stopping the ignition, because the ECU needs a few minutes to stop completely. For some vehicles you have to pull out the ignition key and close the driver's door.

■ To avoid any damages and therefore caused malfunctions, fix the STEINBAUER wiring loom with cable fasteners.

Take care that the STEINBAUER wiring loom does not touch or rub on metal parts.

In case of malfunctions caused by not fixed cables or by inappropriate installation the STEINBAUER manufacturer's guarantee and liability for consequential damage of STEINBAUER Tuning Technologies Austria GmbH expires.

We grant a three years' guarantee starting at dispatch, but only in case of appropriate installation and usage.

■ If you have any questions when installing, please do not hesitate to contact STEINBAUER Tuning Technologies Austria or your nearest sales partner.

■ As manufacturer of the STEINBAUER Additional electronic we are obliged to inform you, that any changes made to a vehicle licensed for public transport, must be notified to the appropriate inspection authority and inserted to the car documents.

The legal restrictions are different in each country, therefore please check with appropriate authority.

■ Please read our general terms.